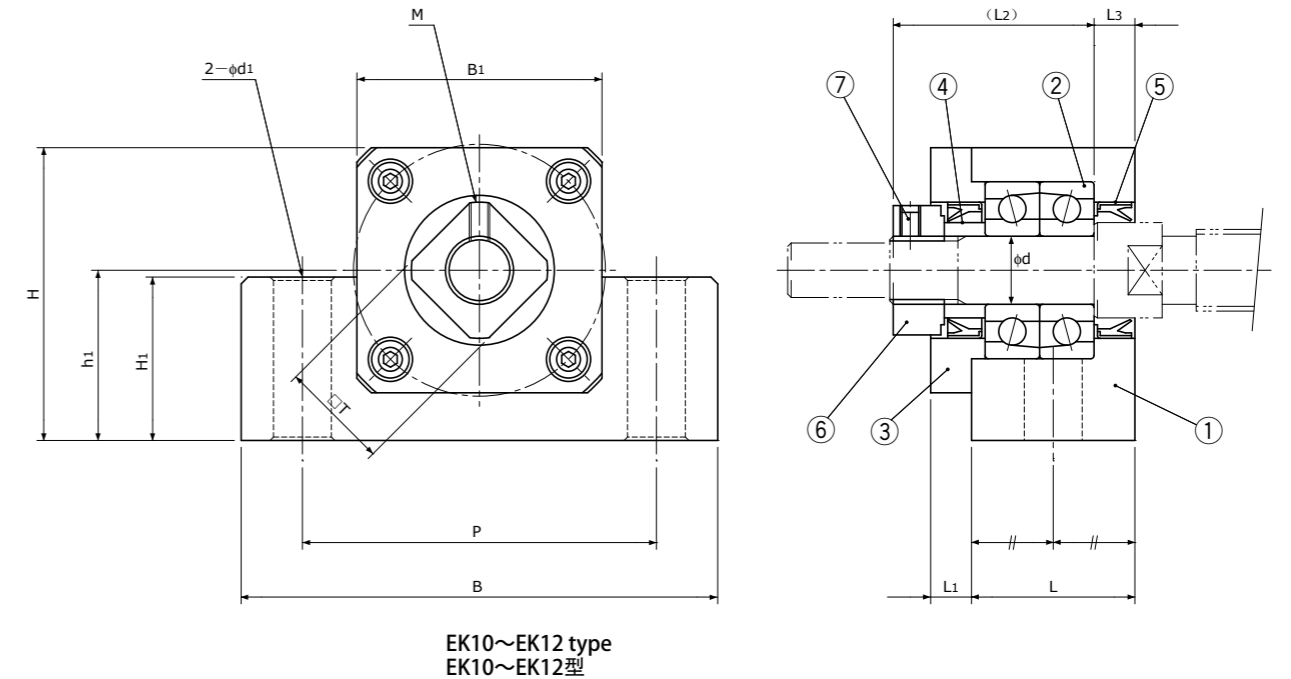
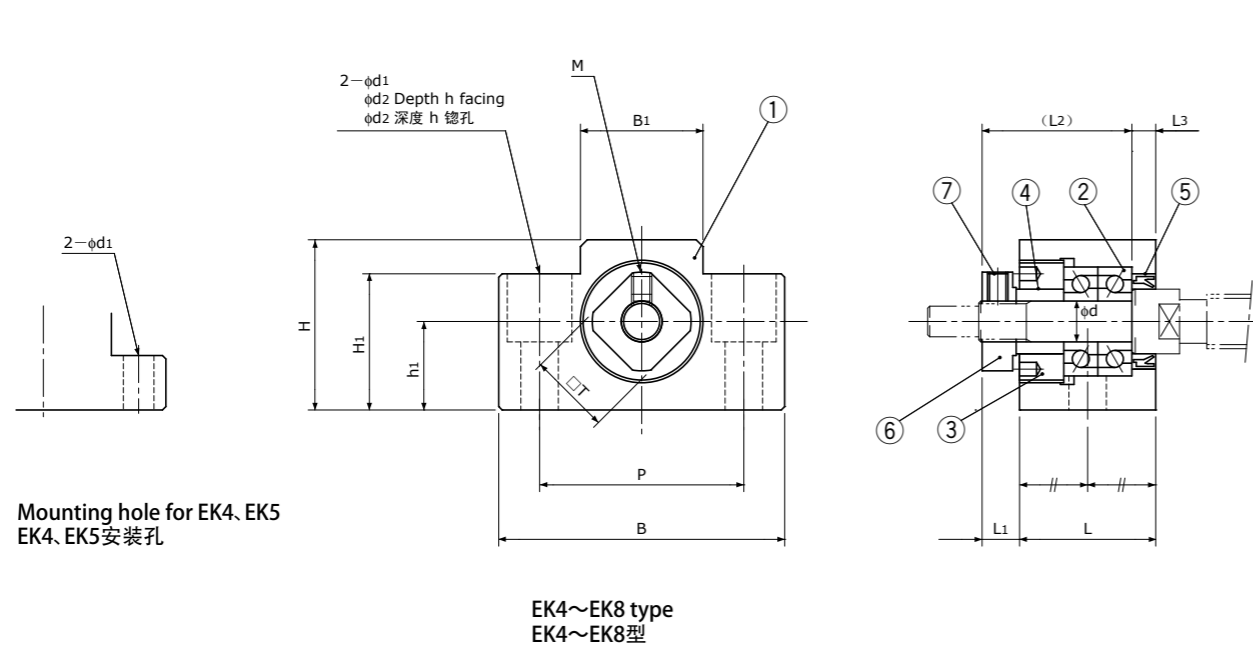


EK series  
EK系列

Block type (Fixed side)  
块型(固定侧)



EK4~EK8 Parts List 零件表

Part No. 零件号	Part name 零件名称	Qty 数量
1	Housing / 外壳	1
2	Bearing / 轴承	1 set
3	Pressure Nut / 压紧螺母	1
4	Collar / 轴环	1
5	Seal / 密封	1
6	Lock-Nut / 锁紧螺母	1
7	Hexagonal socket head set screw / 内六角止动螺丝 (with set piece / 带定位块)	1

公称型号的构成 / Model number notation

**EK 8**  
1 2

1系列符号/Series No.  
2轴承内径/Inner diameter of Bearing (mm)

EK10~EK12 Parts List 零件表

Part No. 零件号	Part name 零件名称	Qty 数量
1	Housing / 外壳	1
2	Bearing / 轴承	1 set
3	Pressure cover / 压紧盖	1
4	Collar / 轴环	1
5	Seal / 密封	2
6	Lock-Nut / 锁紧螺母	1
7	Hexagonal socket head set screw / 内六角止动螺丝 (with set piece / 带定位块)	1

Unit (单位): mm

Type 型号	Brg. Inner dia. 轴承内径 d	L	L <sub>1</sub>	L <sub>2</sub>	L <sub>3</sub>	B	H	h <sub>1</sub> ±0.02	B <sub>1</sub>	H <sub>1</sub>	P	d <sub>1</sub>	d <sub>2</sub>	h	M	T	Bearing 使用的轴承	Mass 重量 g	Type 型号
EK 4	4	15	5.5	17.5	3	34	19	10	18	7	26	4.5	—	—	M2.6	10	AC4-12P5	60	EK 4
EK 5	5	16.5	5.5	18.5	3.5	36	21	11	20	8	28	4.5	—	—	M2.6	11	AC5-14P5	80	EK 5
EK 6	6	20	5.5	22	3.5	42	25	13	18	20	30	5.5	9.5	11	M3	12	AC6-16P5	140	EK 6
EK 8	8	23	7	26	4	52	32	17	25	26	38	6.6	11	12	M3	14	AC8-18P5	240	EK 8
EK 10	10	24	6	29.5	6	70	43	25	36	24	52	9	—	—	M3	16	7000DFGMP5	460	EK 10
EK 12	12	24	6	29.5	6	70	43	25	36	24	52	9	—	—	M3	19	7001DFGMP5	440	EK 12

注) 支架组件已经过预压调整, 请勿进行拆分。  
Note) Do not disassemble Support Unit, as they are pre-loaded and pre-adjusted.