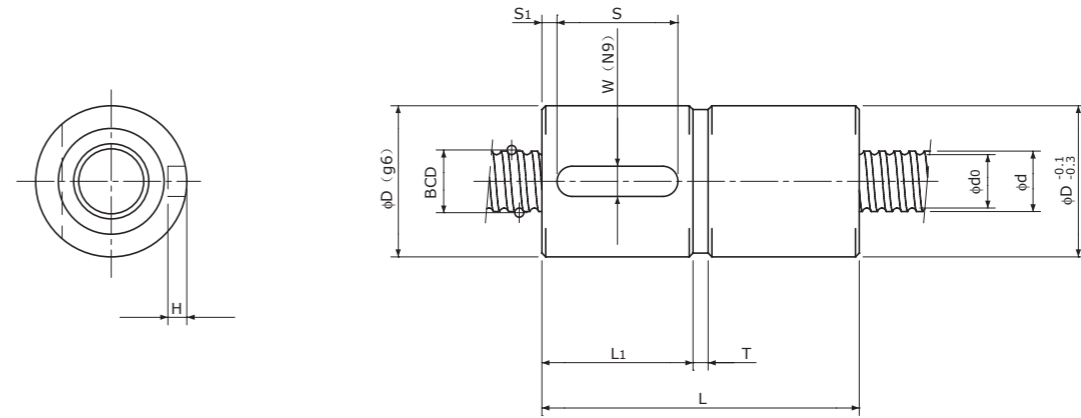


Sleeve type Double Nut  
套筒型双螺母



Unit(单位): mm

Ball Nut Model number 螺母型号	Shaft nominal dia. 丝杠轴公称外径 d	Lead 导程	Ball size 丝杠直径	BCD 钢珠中心直径	Lead angle 导程角	Root dia. 底径 d <sub>0</sub>	Number of Circuit 循环数	Basic Load Rating 基本额定负载 N		Nut Rigidity 螺母刚性 N/μm	Nut dimension 螺母尺寸								Ball Nut Model number 螺母型号
								Dynamic 额定动负载 Ca	Static 额定静负载 Coa		D	L	L <sub>1</sub>	T	W	H	S	S <sub>1</sub>	
SWBS 0602 A	6	2	1.0	6.20	5°52'	5.1	2.7×1	750	1200	114	15	33	15.5	2	3	1.8	10	2.5	SWBS 0602 A
SWBS 0602 B	6	2	1.0	6.20	5°52'	5.1	3.7×1	980	1600	155	15	38	18	2	3	1.8	12	3	SWBS 0602 B
SWBS 0602.5 A	6	2.5	1.0	6.20	7°19'	5.1	2.7×1	750	1200	115	15	33.5	15.5	2.5	3	1.8	10	3	SWBS 0602.5 A
SWBS 0802 A(1)	8	2	1.0	8.20	4°26'	7.1	2.7×1	850	1600	144	16	31	14.5	2	3	1.8	10	2.5	SWBS 0802 A(1)
SWBS 0802 B(1)	8	2	1.0	8.20	4°26'	7.1	3.7×1	1100	2200	195	16	38	18	2	3	1.8	12	3	SWBS 0802 B(1)
SWBS 0802 A(2)	8	2	1.5875	8.30	4°23'	6.6	2.7×1	1850	3000	162	20	37	17.5	2	4	2.5	12	2.5	SWBS 0802 A(2)
SWBS 0802 B(2)	8	2	1.5875	8.30	4°23'	6.6	3.7×1	2400	4100	217	20	42	20	2	4	2.5	16	2	SWBS 0802 B(2)
SWBS 0802.5 A	8	2.5	1.5875	8.30	5°29'	6.6	2.7×1	1850	3000	161	20	41.5	19.5	2.5	4	2.5	12	3.5	SWBS 0802.5 A
SWBS 0802.5 B	8	2.5	1.5875	8.30	5°29'	6.6	3.7×1	2400	4100	219	20	47	22.5	2	4	2.5	16	3	SWBS 0802.5 B
SWBS 0803 A	8	3	2.0	8.30	6°34'	6.2	2.7×1	2600	4200	167	20	46	22	2	4	2.5	16	3	SWBS 0803 A
SWBS 0803 B	8	3	2.0	8.30	6°34'	6.2	3.7×1	3500	5700	227	20	53	25.5	2	4	2.5	20	3	SWBS 0803 B

注1)设计时, 请注意使滚珠丝杠轴端的其中一端不超过丝杠轴底径。  
如果两个轴端设计得大于底径, 则将无法组装螺母。

注2)标准螺母不带密封。  
需要密封时, 螺母的尺寸将发生变化, 详情请垂询本公司。  
某些型号的螺母不能安装密封, 敬请注意。

注3)刚性  
表中的刚性值为施加了相当于基本额定动负载Ca的10%的预压, 并在相当于该预压量3倍的轴向负载作用时, 根据轴向弹性位移量计算的理论值。  
预压量与上述条件不同时, 可通过p-A823的公式计算。  
详情请垂询本公司。

注4)标准螺纹旋向为右旋。  
需要左旋时, 请垂询本公司。

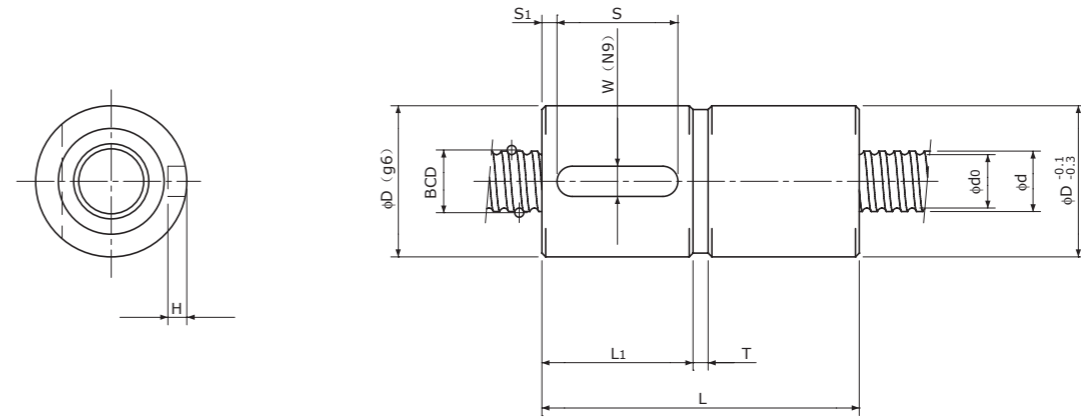
Note 1)The diameter of one of the Screw Shaft ends must be less than the Screw Shaft Root diameter, otherwise Ball Nut cannot be installed.

Note 2)Ball Nut dimension is without seal at both ends.  
If the seals are required, Ball Nut dimension should be changed, in that case, please ask KSS.  
Some type of Ball Nuts cannot equip with seals, please ask KSS representative.

Note 3)Rigidity  
The Rigidity values shown in the table are theoretical values calculated from the amount of Elastic Displacement under the Preload equivalent to 10% of the Basic Dynamic Load Rating Ca.

For Preload condition other than the above, see the formula in p-A823, you can calculate Rigidity using this formula.  
Note 4)All models are Right-hand screw. If Left-hand screw is required, please ask KSS representative.

Sleeve type Double Nut  
套筒型双螺母



Unit(单位): mm

Ball Nut Model number 螺母型号	Shaft nominal dia. 丝杠轴公称外径 d	Lead 导程	Ball size 丝杠直径	BCD 钢珠中心直径	Lead angle 导程角	Root dia. 底径 d <sub>0</sub>	Number of Circuit 循环数	Basic Load Rating 基本额定负载 N		Nut Rigidity 螺母刚性 N/μm	Nut dimension 螺母尺寸								Ball Nut Model number 螺母型号
								Dynamic 额定动负载 Ca	Static 额定静负载 Coa		D	L	L <sub>1</sub>	T	W	H	S	S <sub>1</sub>	
SWBS 1002 A	10	2	1.5875	10.30	3°32'	8.6	2.7×1	2100	3800	196	23	37	17.5	2	5	3	12	2.5	SWBS 1002 A
SWBS 1002 B	10	2	1.5875	10.30	3°32'	8.6	3.7×1	2700	5300	262	23	42	20	2	5	3	16	2	SWBS 1002 B
SWBS 1002.5 A	10	2.5	1.5875	10.30	4°25'	8.6	2.7×1	2100	3800	196	24	41.5	19.5	2.5	5	3	12	3.5	SWBS 1002.5 A
SWBS 1002.5 B	10	2.5	1.5875	10.30	4°25'	8.6	3.7×1	2700	5300	262	24	47	22.5	2	5	3	16	3	SWBS 1002.5 B
SWBS 1003 A	10	3	2.0	10.30	5°18'	8.2	2.7×1	3000	5200	202	24	46	22	2	5	3	16	3	SWBS 1003 A
SWBS 1003 B	10	3	2.0	10.30	5°18'	8.2	3.7×1	3900	7200	275	24	53	25.5	2	5	3	20	3	SWBS 1003 B
SWBS 1004 A	10	4	2.0	10.30	7°03'	8.2	2.7×1	3000	5200	203	24	54	26	2	5	3	20	3	SWBS 1004 A
SWBS 1202 B	12	2	1.5875	12.30	2°58'	10.6	3.7×1	3000	6400	307	25	44	20.5	3	5	3	16	2	SWBS 1202 B
SWBS 1202.5 B	12	2.5	1.5875	12.30	3°42'	10.6	3.7×1	3000	6400	306	26	47	22	3	5	3	16	3	SWBS 1202.5 B
SWBS 1203 B	12	3	2.0	12.30	4°26'	10.2	3.7×1	4300	8700	318	28	56	26.5	3	5	3	20	3	SWBS 1203 B
SWBS 1204 B	12	4	2.381	12.30	5°55'	9.8	3.7×1	5400	10200	324	28	67	32	3	5	3	25	3	SWBS 1204 B

注1)设计时, 请注意使滚珠丝杠轴端的其中一端不超过丝杠轴底径。  
如果两个轴端设计得大于底径, 则将无法组装螺母。

注2)标准螺母不带密封。  
需要密封时, 螺母的尺寸将发生变化, 详情请垂询本公司。  
某些型号的螺母不能安装密封, 敬请注意。

注3)刚性  
表中的刚性值为施加了相当于基本额定动负载Ca的10%的预压, 并在相当于该预压量3倍的轴向负载作用时, 根据轴向弹性位移量计算的理论值。  
预压量与上述条件不同时, 可通过p-A823的公式计算。  
详情请垂询本公司。

注4)标准螺纹旋向为右旋。  
需要左旋时, 请垂询本公司。

Note 1)The diameter of one of the Screw Shaft ends must be less than the Screw Shaft Root diameter, otherwise Ball Nut cannot be installed.

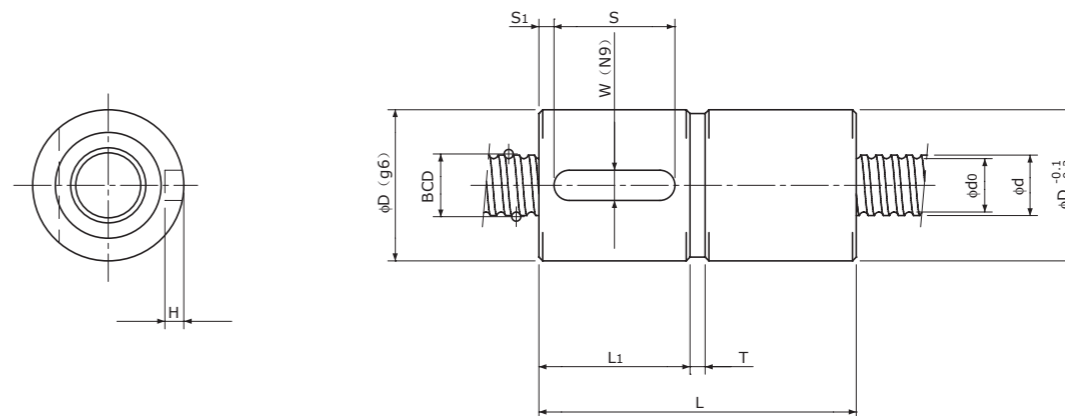
Note 2)Ball Nut dimension is without seal at both ends.  
If the seals are required, Ball Nut dimension should be changed, in that case, please ask KSS.  
Some type of Ball Nuts cannot equip with seals, please ask KSS representative.

Note 3)Rigidity  
The Rigidity values shown in the table are theoretical values calculated from the amount of Elastic Displacement under the Preload equivalent to 10% of the Basic Dynamic Load Rating Ca.

For Preload condition other than the above, see the formula in p-A823, you can calculate Rigidity using this formula.

Note 4)All models are Right-hand screw. If Left-hand screw is required, please ask KSS representative.

# Sleeve type Double Nut 套筒型双螺母



Unit(单位): mm

Ball Nut Model number 螺母型号	Shaft nominal dia. 丝杠轴公称外径 d	Lead 导程	Ball size 丝杠直径	BCD 钢珠中心直径	Lead angle 导程角	Root dia. 底径 d <sub>0</sub>	Number of Circuit 循环数	Basic Load Rating 基本额定负载 N		Nut Rigidity 螺母刚性 N/μm	Nut dimension 螺母尺寸								Ball Nut Model number 螺母型号
								Dynamic 额定动负载 Ca	Static 额定静负载 Coa		D	L	L <sub>1</sub>	T	W	H	S	S <sub>1</sub>	
SWBS 1402 B	14	2	1.5875	14.30	2°33'	12.6	3.7×1	3200	7500	345	26	44	20.5	3	5	3	16	2	SWBS 1402 B
SWBS 1402.5 B	14	2.5	1.5875	14.30	3°11'	12.6	3.7×1	3200	7500	345	28	47	22	3	5	3	16	3	SWBS 1402.5 B
SWBS 1403 B	14	3	2.0	14.30	3°49'	12.2	3.7×1	4600	10100	361	30	56	26.5	3	5	3	20	3	SWBS 1403 B
SWBS 1404 B	14	4	2.381	14.30	5°05'	11.8	3.7×1	5700	11600	366	30	67	32	3	5	3	25	3	SWBS 1404 B
SWBS 1405 B	14	5	2.381	14.30	6°21'	11.8	3.7×1	5700	11600	365	30	78	37.5	3	5	3	28	5	SWBS 1405 B
SWBS 1602 B	16	2	1.5875	16.30	2°14'	14.6	3.7×1	3400	8600	386	28	44	20.5	3	5	3	16	2	SWBS 1602 B
SWBS 1602.5 B	16	2.5	1.5875	16.30	2°48'	14.6	3.7×1	3400	8600	385	28	47	22	3	5	3	16	3	SWBS 1602.5 B
SWBS 1603 B	16	3	2.0	16.30	3°21'	14.2	3.7×1	4900	11600	401	32	56	26.5	3	5	3	20	3	SWBS 1603 B
SWBS 1604 B	16	4	2.381	16.30	4°28'	13.8	3.7×1	6200	13600	409	34	68	32	4	5	3	25	3.5	SWBS 1604 B
SWBS 1605 B	16	5	3.175	16.50	5°31'	13.2	3.7×1	9100	18200	425	38	83	39.5	4	5	3	28	5	SWBS 1605 B

注1)设计时, 请注意使滚珠丝杠轴端的其中一端不超过丝杠轴底径。  
如果两个轴端设计得大于底径, 则将无法组装螺母。

注2)标准螺母不带密封。  
需要密封时, 螺母的尺寸将发生变化, 详情请垂询本公司。  
某些型号的螺母不能安装密封, 敬请注意。

注3)刚性  
表中的刚性值为施加了相当于基本额定动负载Ca的10%的预压, 并在相当于该预压量3倍的轴向负载作用时, 根据轴向弹性位移量计算的理论值。  
预压量与上述条件不同时, 可通过p-A823的公式计算。  
详情请垂询本公司。

注4)标准螺纹旋向为右旋。  
需要左旋时, 请垂询本公司。

Note 1)The diameter of one of the Screw Shaft ends must be less than the Screw Shaft Root diameter, otherwise Ball Nut cannot be installed.

Note 2)Ball Nut dimension is without seal at the both ends.  
If the seals are required, Ball Nut dimension should be changed, in that case, please ask KSS.  
Some type of Ball Nuts cannot equip with seals, please ask KSS representative.

Note 3)Rigidity  
The Rigidity values shown in the table are theoretical values calculated from the amount of Elastic Displacement under the Preload equivalent to 10% of the Basic Dynamic Load Rating Ca.  
For Preload condition other than the above, see the formula in p-A823, you can calculate Rigidity using this formula.

Note 4)All models are Right-hand screw. If Left-hand screw is required, please ask KSS representative.