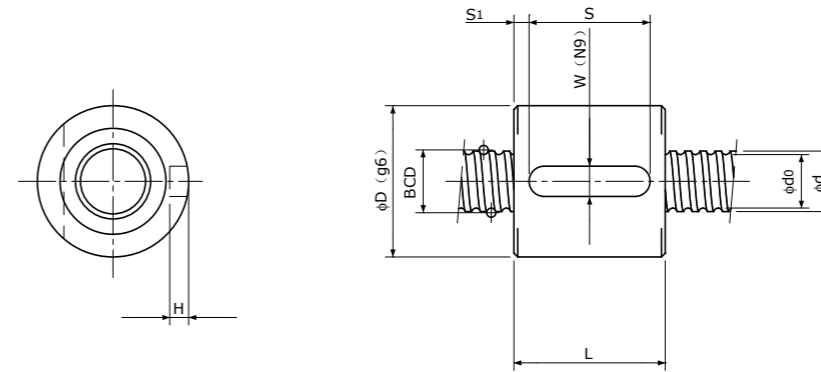


Precision Ball Screws 精密滚珠丝杠

Sleeve type Single Nut 套筒型单螺母

Backlash type/Preload type 齿侧间隙型/预压型



Unit(单位): mm

Ball Nut Model number 螺母型号	Shaft nominal dia. 丝杠轴公称外径 d	Lead 导程	Ball size 丝杠直径	BCD 钢珠中心直径	Lead angle 导程角	Root dia. 底径 d ₀	Number of Circuit 循环数	Basic Load Rating 基本额定负载 N		Nut Rigidity 螺母刚性 N/μm	Nut dimension 螺母尺寸						Ball Nut Model number 螺母型号
								Dynamic 额定动负载 Ca	Static 额定静负载 Coa		D	L	W	H	S	S ₁	
BS 0301 B	3	1	0.6	3.18	5°43'	2.4	3.7×1	330 / —	440 / —	42 / —	9	12	2	1.2	8	2	BS 0301 B
BS 0401 A	4	1	0.8	4.15	4°23'	3.3	2.7×1	420 / 270	570 / 290	40 / 34	10	12	2	1.2	8	2	BS 0401 A
BS 0401 B	4	1	0.8	4.15	4°23'	3.3	3.7×1	560 / 350	790 / 400	54 / 45	11	14	3	1.8	8	3	BS 0401 B
BS 0402 A	4	2	0.8	4.15	8°43'	3.3	2.7×1	420 / 260	570 / 290	39 / 33	11	16	3	1.8	8	4	BS 0402 A
BS 0501 B	5	1	0.8	5.15	3°32'	4.3	3.7×1	630 / 400	1000 / 500	65 / 55	12	14	3	1.8	8	3	BS 0501 B
BS 0504 A	5	4	0.8	5.15	13°53'	4.3	2.7×1	470 / 300	720 / 360	47 / 39	12	22	3	1.8	12	5	BS 0504 A
BS 0601 B	6	1	0.8	6.15	2°58'	5.3	3.7×1	680 / 430	1200 / 610	75 / 63	13	14	3	1.8	10	2	BS 0601 B
BS 0601.5 B	6	1.5	1.0	6.20	4°24'	5.1	3.7×1	980 / 620	1600 / 800	79 / 67	14	16	3	1.8	10	3	BS 0601.5 B
BS 0602 A	6	2	1.0	6.20	5°52'	5.1	2.7×1	750 / 470	1200 / 590	58 / 49	15	15	3	1.8	10	2.5	BS 0602 A
BS 0602.5 A	6	2.5	1.0	6.20	7°19'	5.1	2.7×1	750 / 470	1200 / 590	59 / 49	15	16	3	1.8	10	3	BS 0602.5 A

- 注1) 设计时, 请注意使滚珠丝杠轴端的其中一端不超过丝杠轴底径。如果两个轴端设计得大于底径, 则将无法组装螺母。
- 注2) 标准螺母不带密封。需要密封时, 螺母的尺寸将发生变化, 详情请垂询本公司。某些型号的螺母不能安装密封, 敬请注意。
- 注3) 表中的刚性值为螺母的刚性值, 是在以下条件下, 根据轴向弹性位移量计算得出的理论值。
齿侧间隙型: 相当于基本额定动负载Ca的30%的轴向负载作用时
预压型: 施加了相当于基本额定动负载Ca的5%的预压时
轴向负载及预压量与上述条件不同时, 可通过p-A823的公式计算。
- 注4) 标准螺纹旋向为右旋。需要左旋时, 请垂询本公司。
- 注5) 基本额定负载和刚性值(齿侧间隙型和预压型的刚性值可能会有不同)一并标示在上表中。

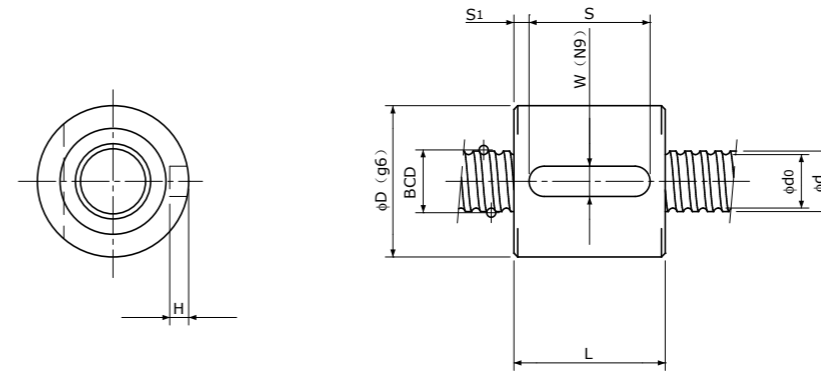
Basic Load Rating 基本额定负载 N		Nut Rigidity 螺母刚性 N/μm
Dynamic 额定动负载 Ca	Static 额定静负载 Coa	
1000 / 640	3300 / 1650	164 / 138
		Preload type 预压型
		Backlash type 齿侧间隙型

- Note 1) The diameter of one of the Screw Shaft ends must be less than the Screw Shaft Root diameter, otherwise Ball Nut cannot be installed.
- Note 2) Ball Nut dimension is without seal at the both ends. If the seals are required, Ball Nut dimension should be changed, in that case, please ask KSS. Some type of Ball Nuts cannot equip with seals, please ask KSS representative.
- Note 3) The Rigidity values shown in the table are theoretical values of Ball Nut Rigidity calculated from the amount of Elastic Displacement under the following conditions.
Backlash type; Apply the Axial load equivalent to 30% of the Basic Dynamic Load Rating Ca.
Preload type; Apply the Preload equivalent to 5% of the Basic Dynamic Load Rating Ca.
For Axial load or Preload condition other than the above, see the formula in p-A823, you can calculate Rigidity using this formula.
- Note 4) All models are Right-hand Screw. If Left-hand Screw is required, please ask KSS representative.
- Note 5) Basic Load Rating and Rigidity for Backlash type and Preload type are described in the same cell.

Precision Ball Screws 精密滚珠丝杠

Sleeve type Single Nut 套筒型单螺母

Backlash type/Preload type 齿侧间隙型/预压型



Unit(单位) : mm

Ball Nut Model number 螺母型号	Shaft nominal dia. 丝杠轴公称外径 d	Lead 导程	Ball size 丝杠直径	BCD 钢珠中心直径	Lead angle 导程角	Root dia. 底径 d ₀	Number of Circuit 循环数	Basic Load Rating 基本额定负载 N		Nut Rigidity 螺母刚性 N/μm	Nut dimension 螺母尺寸						Ball Nut Model number 螺母型号
								Dynamic 额定动负载 Ca	Static 额定静负载 Coa		D	L	W	H	S	S ₁	
BS 0801 B	8	1	0.8	8.15	2°15'	7.3	3.7×1	780 / 490	1650 / 820	95 / 80	16	14	3	1.8	10	2	BS 0801 B
BS 0801.5 B	8	1.5	1.0	8.20	3°20'	7.1	3.7×1	1100 / 700	2200 / 1100	99 / 83	16	16	3	1.8	10	3	BS 0801.5 B
BS 0802 B (1)	8	2	1.0	8.20	4°26'	7.1	3.7×1	1100 / 700	2200 / 1100	99 / 83	16	18	3	1.8	12	3	BS 0802 B (1)
BS 0802 B (2)	8	2	1.5875	8.30	4°23'	6.6	3.7×1	2400 / 1550	4100 / 2100	111 / 94	20	20	4	2.5	16	2	BS 0802 B (2)
BS 0802.5 A	8	2.5	1.5875	8.00	5°41'	6.3	2.7×1	1850 / —	3000 / —	80 / —	16	16	3	1.8	8	4	BS 0802.5 A
BS 0802.5 B	8	2.5	1.5875	8.30	5°29'	6.6	3.7×1	2400 / 1550	4100 / 2100	111 / 93	20	22	4	2.5	16	3	BS 0802.5 B
BS 0803 A	8	3	2.0	8.30	6°34'	6.2	2.7×1	2600 / 1650	4200 / 2100	85 / 70	20	22	4	2.5	16	3	BS 0803 A
BS 0804 A	8	4	2.0	8.30	8°43'	6.2	2.7×1	2600 / 1650	4200 / 2100	84 / 70	21	26	4	2.5	20	3	BS 0804 A
BS 0805 A	8	5	1.5875	8.30	10°51'	6.6	2.7×1	1850 / 1150	3000 / 1500	82 / 67	18	28	4	2.5	20	4	BS 0805 A

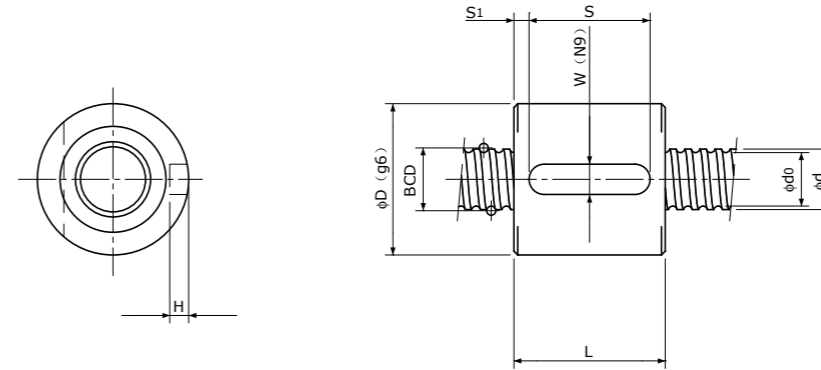
- 注1) 设计时, 请注意使滚珠丝杠轴端的其中一端不超过丝杠轴底径。如果两个轴端设计得大于底径, 则将无法组装螺母。
- 注2) 标准螺母不带密封。
需要密封时, 螺母的尺寸将发生变化, 详情请垂询本公司。
某些型号的螺母不能安装密封, 敬请注意。
- 注3) 表中的刚性值为螺母的刚性值, 是在以下条件下, 根据轴向弹性位移量计算得出的理论值。
齿侧间隙型: 相当于基本额定动负载Ca的30%的轴向负载作用时
预压型: 施加了相当于基本额定动负载Ca的5%的预压时
轴向负载及预压量与上述条件不同时, 可通过p-A823的公式计算。
- 注4) 标准螺纹旋向为右旋。
需要左旋时, 请垂询本公司。
- 注5) 基本额定负载和刚性值(齿侧间隙型和预压型的刚性值可能会有不同)一并标示在上表中。

Basic Load Rating 基本额定负载 N		Nut Rigidity 螺母刚性 N/μm
Dynamic 额定动负载 Ca	Static 额定静负载 Coa	
1000 / 640	3300 / 1650	164 / 138
		Preload type 预压型
		Backlash type 齿侧间隙型

- Note 1) The diameter of one of the Screw Shaft ends must be less than the Screw Shaft Root diameter, otherwise Ball Nut cannot be installed.
- Note 2) Ball Nut dimension is without seal at the both ends.
If the seals are required, Ball Nut dimension should be changed, in that case, please ask KSS.
Some type of Ball Nuts cannot equip with seals, please ask KSS representative.
- Note 3) The Rigidity values shown in the table are theoretical values of Ball Nut Rigidity calculated from the amount of Elastic Displacement under the following conditions.
Backlash type ; Apply the Axial load equivalent to 30% of the Basic Dynamic Load Rating Ca.
Preload type ; Apply the Preload equivalent to 5% of the Basic Dynamic Load Rating Ca.
For Axial load or Preload condition other than the above,
see the formula in p-A823, you can calculate Rigidity using this formula.
- Note 4) All models are Right-hand Screw. If Left-hand Screw is required, please ask KSS representative.
- Note 5) Basic Load Rating and Rigidity for Backlash type and Preload type are described in the same cell.

Sleeve type Single Nut
套筒型单螺母

Backlash type/Preload type
齿侧间隙型/预压型



Unit(单位): mm

Ball Nut Model number 螺母型号	Shaft nominal dia. 丝杠轴公称外径 d	Lead 导程	Ball size 丝杠直径	BCD 钢珠中心直径	Lead angle 导程角	Root dia. 底径 d ₀	Number of Circuit 循环数	Basic Load Rating 基本额定负载 N		Nut Rigidity 螺母刚性 N/∑m	Nut dimension 螺母尺寸						Ball Nut Model number 螺母型号
								Dynamic 额定动负载 Ca	Static 额定静负载 Coa		D	L	W	H	S	S ₁	
BS 1001 B	10	1	0.8	10.15	1°48'	9.3	3.7×1	840 / 530	2000 / 1000	113 / 95	19	14	3	1.8	10	2	BS 1001 B
BS 1001.5 B	10	1.5	1.0	10.20	2°41'	9.1	3.7×1	1250 / 790	2800 / 1400	120 / 101	19	16	3	1.8	10	3	BS 1001.5 B
BS 1002 B	10	2	1.5875	10.30	3°32'	8.6	3.7×1	2700 / 1750	5300 / 2700	134 / 112	23	20	5	3	16	2	BS 1002 B
BS 1002.5 B	10	2.5	1.5875	10.30	4°25'	8.6	3.7×1	2700 / 1750	5300 / 2700	133 / 112	24	22	5	3	16	3	BS 1002.5 B
BS 1003 B	10	3	2.0	10.30	5°18'	8.2	3.7×1	3900 / 2500	7200 / 3600	140 / 118	24	26	5	3	20	3	BS 1003 B
BS 1004 A	10	4	2.0	10.30	7°03'	8.2	2.7×1	3000 / 1800	5200 / 2600	104 / 86	24	26	5	3	20	3	BS 1004 A
BS 1005 A (1)	10	5	2.0	10.30	8°47'	8.2	2.7×1	3000 / —	5200 / —	103 / —	23	26	5	3	16	5	BS 1005 A (1)
BS 1005 A (2)	10	5	2.0	10.30	8°47'	8.2	2.7×1	3000 / 1800	5200 / 2600	103 / 85	24	34	5	3	28	3	BS 1005 A (2)

- 注1) 设计时, 请注意使滚珠丝杠轴端的其中一端不超过丝杠轴底径。如果两个轴端设计得大于底径, 则将无法组装螺母。
- 注2) 标准螺母不带密封。需要密封时, 螺母的尺寸将发生变化, 详情请垂询本公司。某些型号的螺母不能安装密封, 敬请注意。
- 注3) 表中的刚性值为螺母的刚性值, 是在以下条件下, 根据轴向弹性位移量计算得出的理论值。
齿侧间隙型: 相当于基本额定动负载Ca的30%的轴向负载作用时
预压型: 施加了相当于基本额定动负载Ca的5%的预压时
轴向负载及预压量与上述条件不同时, 可通过p-A823的公式计算。
- 注4) 标准螺纹旋向为右旋。需要左旋时, 请垂询本公司。
- 注5) 基本额定负载和刚性值(齿侧间隙型和预压型的刚性值可能会有不同)一并标示在上表中。

Basic Load Rating 基本额定负载 N		Nut Rigidity 螺母刚性 N/∑m
Dynamic 额定动负载 Ca	Static 额定静负载 Coa	
1000 / 640	3300 / 1650	164 / 138

Preload type
预压型

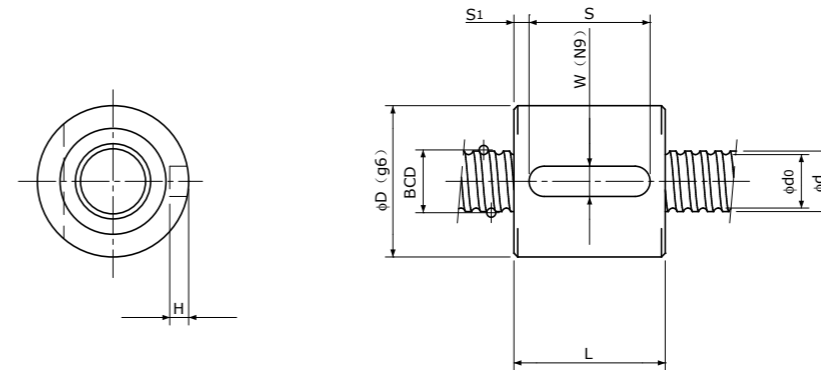
Backlash type
齿侧间隙型

- Note 1) The diameter of one of the Screw Shaft ends must be less than the Screw Shaft Root diameter, otherwise Ball Nut cannot be installed.
- Note 2) Ball Nut dimension is without seal at the both ends. If the seals are required, Ball Nut dimension should be changed, in that case, please ask KSS. Some type of Ball Nuts cannot equip with seals, please ask KSS representative.
- Note 3) The Rigidity values shown in the table are theoretical values of Ball Nut Rigidity calculated from the amount of Elastic Displacement under the following conditions.
Backlash type ; Apply the Axial load equivalent to 30% of the Basic Dynamic Load Rating Ca.
Preload type ; Apply the Preload equivalent to 5% of the Basic Dynamic Load Rating Ca.
For Axial load or Preload condition other than the above, see the formula in p-A823, you can calculate Rigidity using this formula.
- Note 4) All models are Right-hand Screw. If Left-hand Screw is required, please ask KSS representative.
- Note 5) Basic Load Rating and Rigidity for Backlash type and Preload type are described in the same cell.

Precision Ball Screws 精密滚珠丝杠

Sleeve type Single Nut 套筒型单螺母

Backlash type/Preload type 齿侧间隙型/预压型



Unit(单位): mm

Ball Nut Model number 螺母型号	Shaft nominal dia. 丝杠轴公称外径 d	Lead 导程	Ball size 丝杠直径	BCD 钢珠中心直径	Lead angle 导程角	Root dia. 底径 d ₀	Number of Circuit 循环数	Basic Load Rating 基本额定负载 N		Nut Rigidity 螺母刚性 N/μm	Nut dimension 螺母尺寸						Ball Nut Model number 螺母型号
								Dynamic 额定动负载 Ca	Static 额定静负载 Coa		D	L	W	H	S	S ₁	
BS 1201 B	12	1	0.8	12.15	1°30'	11.3	3.7×1	910 / 570	2400 / 1200	131 / 110	22	14	4	2.5	10	2	BS 1201 B
BS 1202 B	12	2	1.5875	12.30	2°58'	10.6	3.7×1	3000 / 1900	6400 / 3200	156 / 132	25	20	5	3	16	2	BS 1202 B
BS 1202.5 B	12	2.5	1.5875	12.30	3°42'	10.6	3.7×1	3000 / 1850	6400 / 3200	156 / 130	26	22	5	3	16	3	BS 1202.5 B
BS 1203 B	12	3	2.0	12.30	4°26'	10.2	3.7×1	4300 / 2800	8700 / 4300	162 / 137	28	26	5	3	20	3	BS 1203 B
BS 1204 B	12	4	2.381	12.30	5°55'	9.8	3.7×1	5400 / 3400	10200 / 5100	165 / 139	28	31	5	3	25	3	BS 1204 B
BS 1205 A	12	5	2.381	12.30	7°22'	9.8	2.7×1	4100 / 2500	7400 / 3700	122 / 101	28	31	5	3	25	3	BS 1205 A
BS 1401 B	14	1	0.8	14.15	1°17'	13.3	3.7×1	960 / 610	2900 / 1450	148 / 124	26	16	5	3	10	3	BS 1401 B
BS 1402 B	14	2	1.5875	14.30	2°33'	12.6	3.7×1	3200 / 2000	7500 / 3800	176 / 148	26	20	5	3	16	2	BS 1402 B
BS 1402.5 B	14	2.5	1.5875	14.30	3°11'	12.6	3.7×1	3200 / 2000	7500 / 3700	176 / 148	28	22	5	3	16	3	BS 1402.5 B
BS 1403 B	14	3	2.0	14.30	3°49'	12.2	3.7×1	4600 / 2900	10100 / 5000	184 / 154	30	26	5	3	20	3	BS 1403 B
BS 1404 B	14	4	2.381	14.30	5°05'	11.8	3.7×1	5700 / 3600	11600 / 5800	187 / 157	30	31	5	3	25	3	BS 1404 B
BS 1405 B	14	5	2.381	14.30	6°21'	11.8	3.7×1	5700 / 3600	11600 / 5800	186 / 157	30	38	5	3	28	5	BS 1405 B

- 注1) 设计时, 请注意使滚珠丝杠轴端的其中一端不超过丝杠轴底径。如果两个轴端设计得大于底径, 则将无法组装螺母。
- 注2) 标准螺母不带密封。需要密封时, 螺母的尺寸将发生变化, 详情请垂询本公司。某些型号的螺母不能安装密封, 敬请注意。
- 注3) 表中的刚性值为螺母的刚性值, 是在以下条件下, 根据轴向弹性位移量计算得出的理论值。
齿侧间隙型: 相当于基本额定动负载Ca的30%的轴向负载作用时
预压型: 施加了相当于基本额定动负载Ca的5%的预压时
轴向负载及预压量与上述条件不同时, 可通过p-A823的公式计算。
- 注4) 标准螺纹旋向为右旋。需要左旋时, 请垂询本公司。
- 注5) 基本额定负载和刚性值(齿侧间隙型和预压型的刚性值可能会有不同)一并标示在上表中。

Basic Load Rating 基本额定负载 N		Nut Rigidity 螺母刚性 N/μm
Dynamic 额定动负载 Ca	Static 额定静负载 Coa	
1000 / 640	3300 / 1650	164 / 138

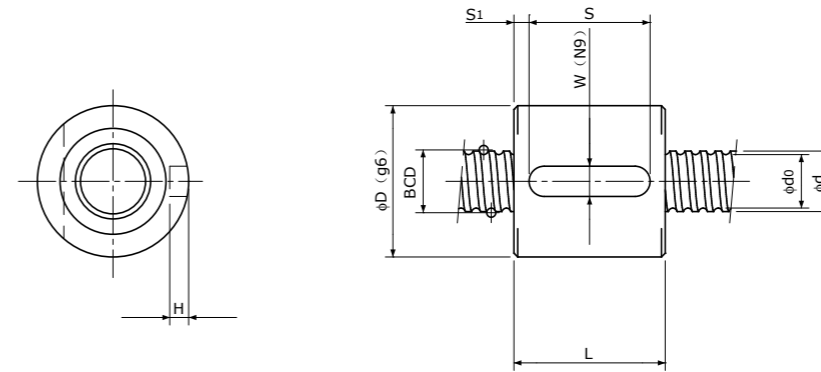
Preload type 预压型
Backlash type 齿侧间隙型

- Note 1) The diameter of one of the Screw Shaft ends must be less than the Screw Shaft Root diameter, otherwise Ball Nut cannot be installed.
- Note 2) Ball Nut dimension is without seal at the both ends. If the seals are required, Ball Nut dimension should be changed, in that case, please ask KSS. Some type of Ball Nuts cannot equip with seals, please ask KSS representative.
- Note 3) The Rigidity values shown in the table are theoretical values of Ball Nut Rigidity calculated from the amount of Elastic Displacement under the following conditions.
Backlash type ; Apply the Axial load equivalent to 30% of the Basic Dynamic Load Rating Ca.
Preload type ; Apply the Preload equivalent to 5% of the Basic Dynamic Load Rating Ca.
For Axial load or Preload condition other than the above, see the formula in p-A823, you can calculate Rigidity using this formula.
- Note 4) All models are Right-hand Screw. If Left-hand Screw is required, please ask KSS representative.
- Note 5) Basic Load Rating and Rigidity for Backlash type and Preload type are described in the same cell.

Precision Ball Screws 精密滚珠丝杠

Sleeve type Single Nut 套筒型单螺母

Backlash type/Preload type 齿侧间隙型/预压型



Unit(单位): mm

Ball Nut Model number 螺母型号	Shaft nominal dia. 丝杠轴公称外径 d	Lead 导程	Ball size 丝杠直径	BCD 钢珠中心直径	Lead angle 导程角	Root dia. 底径 d ₀	Number of Circuit 循环数	Basic Load Rating 基本额定负载 N		Nut Rigidity 螺母刚性 N/∑m	Nut dimension 螺母尺寸						Ball Nut Model number 螺母型号
								Dynamic 额定动负载 Ca	Static 额定静负载 Coa		D	L	W	H	S	S ₁	
BS 1601 B	16	1	0.8	16.15	1°08'	15.3	3.7×1	1000 / 640	3300 / 1650	164 / 138	28	16	5	3	10	3	BS 1601 B
BS 1602 B	16	2	1.5875	16.30	2°14'	14.6	3.7×1	3400 / 2100	8600 / 4300	197 / 163	28	20	5	3	16	2	BS 1602 B
BS 1603 B	16	3	2.0	16.30	3°21'	14.2	3.7×1	4900 / 3100	11600 / 5800	205 / 172	32	26	5	3	20	3	BS 1603 B
BS 1604 B	16	4	2.381	16.30	4°28'	13.8	3.7×1	6200 / 3900	13600 / 6800	209 / 174	34	32	5	3	25	3.5	BS 1604 B
BS 1605 B	16	5	3.175	16.50	5°31'	13.2	3.7×1	9100 / 5700	18200 / 9100	217 / 182	38	38	5	3	28	5	BS 1605 B

注1) 设计时, 请注意使滚珠丝杠轴端的其中一端不超过丝杠轴底径。
如果两个轴端设计得大于底径, 则将无法组装螺母。

注2) 标准螺母不带密封。
需要密封时, 螺母的尺寸将发生变化, 详情请垂询本公司。
某些型号的螺母不能安装密封, 敬请注意。

注3) 表中的刚性值为螺母的刚性值, 是在以下条件下, 根据轴向弹性位移量计算得出的理论值。
齿侧间隙型: 相当于基本额定动负载Ca的30%的轴向负载作用时
预压型: 施加了相当于基本额定动负载Ca的5%的预压时
轴向负载及预压量与上述条件不同时, 可通过p-A823的公式计算。

注4) 标准螺纹旋向为右旋。
需要左旋时, 请垂询本公司。

注5) 基本额定负载和刚性值(齿侧间隙型和预压型的刚性值可能会有不同)一并标示在上表中。

Basic Load Rating 基本额定负载 N		Nut Rigidity 螺母刚性 N/∑m
Dynamic 额定动负载 Ca	Static 额定静负载 Coa	
1000 / 640	3300 / 1650	164 / 138

Preload type 预压型
Backlash type 齿侧间隙型

Note 1) The diameter of one of the Screw Shaft ends must be less than the Screw Shaft Root diameter, otherwise Ball Nut cannot be installed.

Note 2) Ball Nut dimension is without seal at the both ends.
If the seals are required, Ball Nut dimension should be changed, in that case, please ask KSS.
Some type of Ball Nuts cannot equip with seals, please ask KSS representative.

Note 3) The Rigidity values shown in the table are theoretical values of Ball Nut Rigidity calculated from the amount of Elastic Displacement under the following conditions.
Backlash type; Apply the Axial load equivalent to 30% of the Basic Dynamic Load Rating Ca.
Preload type; Apply the Preload equivalent to 5% of the Basic Dynamic Load Rating Ca.
For Axial load or Preload condition other than the above, see the formula in p-A823, you can calculate Rigidity using this formula.

Note 4) All models are Right-hand Screw. If Left-hand Screw is required, please ask KSS representative.
Note 5) Basic Load Rating and Rigidity for Backlash type and Preload type are described in the same cell.