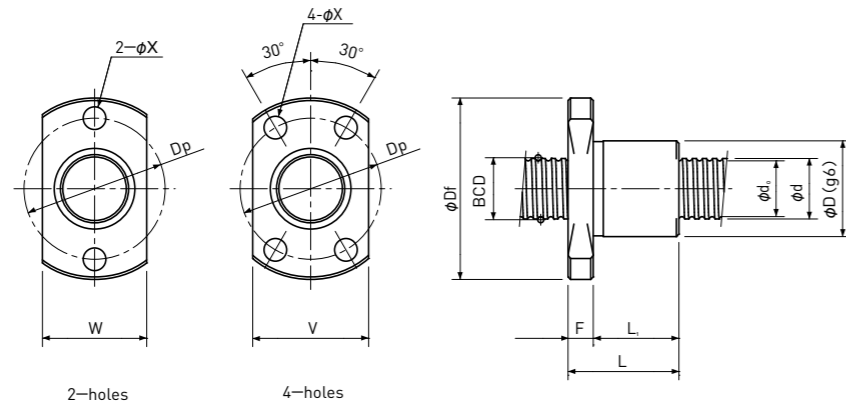


Single Nut with Flange

Backlash type/Preload type



Unit: mm

Model number	Shaft nominal dia. d	Lead	BCD	Basic Load Rating N		Nut dimension									Model number
				Dynamic Ca	Static Coa	D	Df	L	L ₁	F	W	V	Dp	Bolt Hole X	
NSGF0401	4	1	4.15	450 / 450	600 / 600	11	23	18	14	4	—	15	17	3.4	NSGF0401
NSGF0601	6	1	6.20	560 / 560	950 / 950	12	24	20	14	6	—	16	18	3.4	NSGF0601
NSGF0602	6	2	6.20	770 / 770	1150 / 1150	12	24	21	15	6	—	16	18	3.4	NSGF0602
NSGF0801	8	1	8.20	650 / 650	1300 / 1300	16	28	20	14	6	—	19	22	3.4	NSGF0801
NSGF0802	8	2	8.30	1300 / 1300	2300 / 2300	16	28	21	15	6	—	19	22	3.4	NSGF0802
NSGF0805	8	5	8.30	1850 / 1150	3000 / 1500	16	28	28.5	22.5	6	—	19	22	3.4	NSGF0805
NSGF1002	10	2	10.30	2050 / 2050	3650 / 3650	19	36	25	19	6	—	23	28	4.5	NSGF1002
NSGF1004	10	4	10.30	3000 / 1800	5200 / 2600	19	36	26	20	6	—	23	28	4.5	NSGF1004
NSGF1202	12	2	12.30	2250 / 2250	4550 / 4550	24	40	28	20	8	—	26	32	4.5	NSGF1202
NSGF1204	12	4	12.30	4100 / 2500	7400 / 3700	24	40	29	21	8	—	26	32	4.5	NSGF1204

Note 1) NSGF0401 is not specified in DIN standard, therefore conforms to the ISO standard.

