

General purpose, easy-to-use devices capable of operating at high speeds



KUMI Series



Features

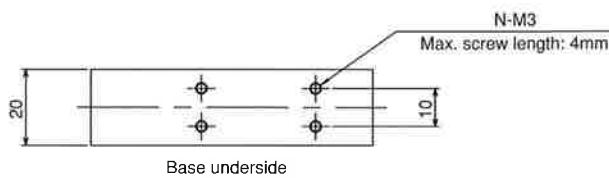
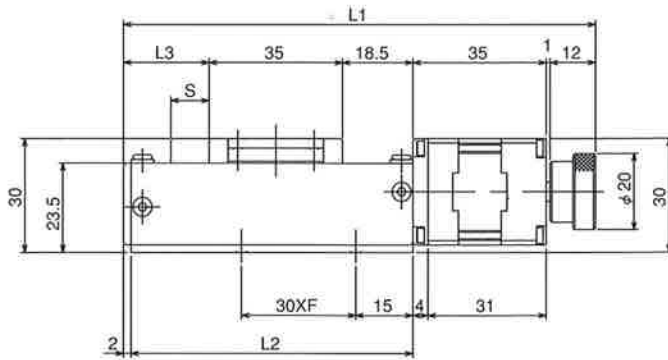
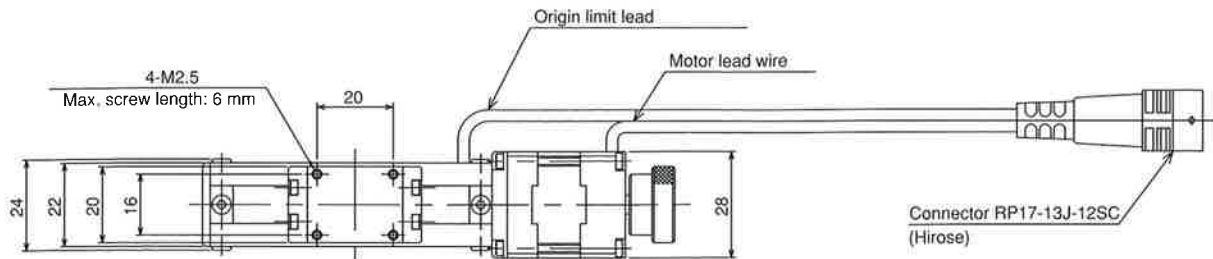
- Super-slim miniature actuators, up to 24 mm wide and 30 mm high (palm-sized).
- Low-friction resin lead screws (resin nuts) are used, resulting in low operating noise.
- Five-phase stepping motors are used, for smooth movement with minimal heat generation.
- Lightweight design makes these units ideal for vertical mounting.

Specifications (Standard products)

Model	Units	KUMI-10-28	KUMI-30-28	KUMI-60-28
Stroke	(mm)	10	30	60
Repeated positioning accuracy	(mm)	± 0.03		
Maximum horizontal load capacity	N (kgf)	9.8 (1.0)		
Maximum vertical load capacity	N (kgf)	4.9 (0.5)		
Maximum load moment	N · m (kgf · cm)	Mp: 0.2 (2.0) My: 0.3 (2.9) Mr: 0.14 (1.4)		
Maximum speed	(mm/sec)	50	80	100
Initial lost motion	(mm)	0.1 max.		
Lead	(mm)	6		
Resolution	(mm/step)	0.012 (For full step)		
Weight	(kg)	0.2	0.23	0.25
Motor		Five-phase stepping motor, 0.35A /phase (28mm x 28mm)		
Sensor		Limit switch (mechanical, 1 point at motor side)		
Operating temperature range	(°C)	0 ~ 40		

* Maximum load moments - Mp: Permissible moment in screw pitch direction; My: Permissible yaw moment; Mr: Permissible rolling moment

Specifications diagram



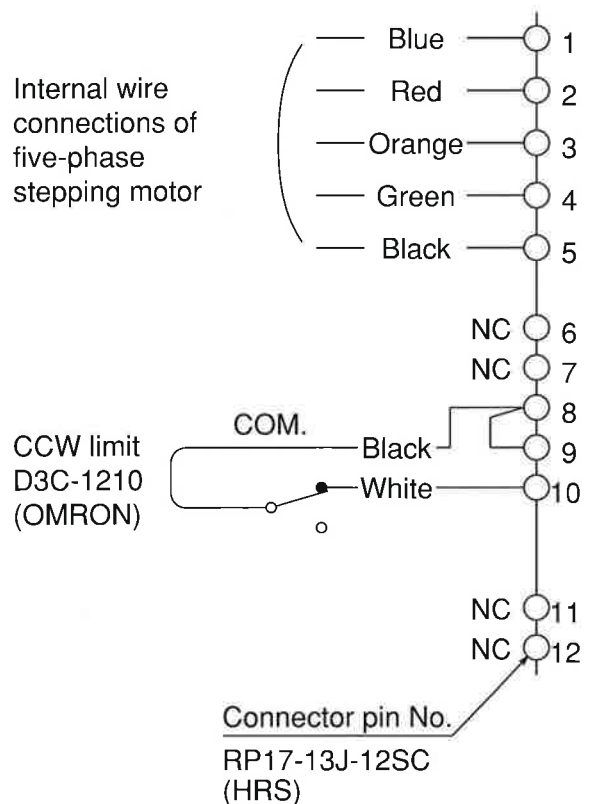
Model	L1	L2	L3	S	F	N
KUMI-10	124	74	22.5	10	1	4
KUMI-30	144	94	42.5	30	2	6
KUMI-60	174	124	72.5	60	3	8



Applications

Ideal for reducing size of equipment such as small component installations, soldering robots, medical equipment controllers, and dispensers.

Wire connection diagram



★ Special custom orders and single-unit orders are welcome.