

High rigidity, accuracy, and durability

KUMIKO

KUMIKO Series



Features

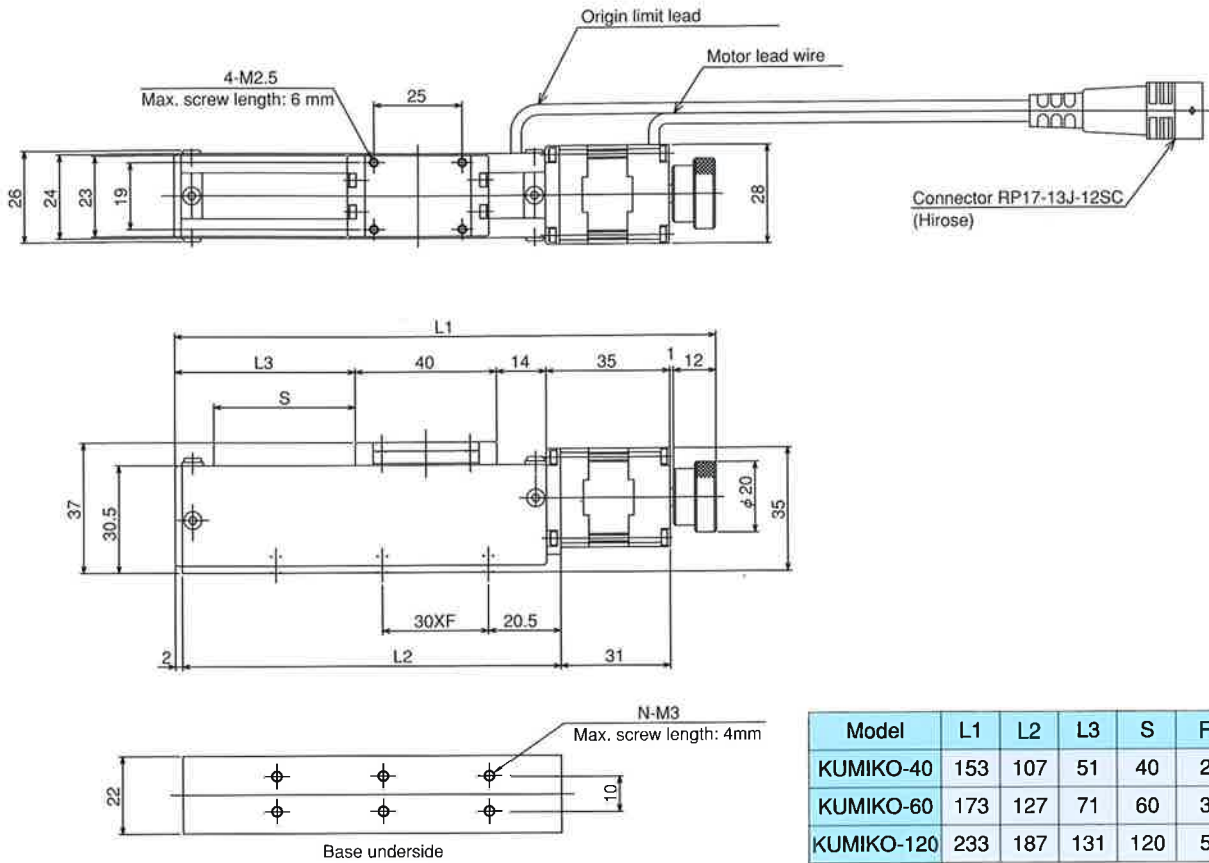
- Super-slim miniature actuators, up to 26 mm wide and 37 mm high (palm-sized).
- Units featuring high rigidity, high accuracy, and high durability and using precision roll miniature ball screws and linear guides.
- Capable of high conveyor speeds, up to 120 mm/s.
- Five-phase stepping motors are used, enabling high resolution.
- Lightweight design makes these units ideal for vertical mounting.

Specifications (Standard products)

Model	Units	KUMIKO-40-28	KUMIKO-60-28	KUMIKO-120-28
Stroke	(mm)	40	60	120
Repeated positioning accuracy	(mm)	± 0.01		
Maximum horizontal load capacity	N (kgf)	39.2 (4.0)		
Maximum vertical load capacity	N (kgf)	19.6 (2.0)		
Maximum load moment	N · m (kgf · cm)	Mp: 0.5 (5) My: 0.5 (5) Mr: 1.0 (10)		
Maximum speed	(mm/sec)	120		
Initial lost motion	(mm)	0.01 max.		
Lead	(mm)	4		
Resolution	(mm/step)	0.008 (For full step)		
Weight	(kg)	0.29	0.32	0.37
Motor		Five-phase stepping motor, 0.35 A/phase (28mm x 28mm)		
Sensor		Limit switch (mechanical, 1 point at motor side)		
Operating temperature range	(°C)	0 ~ 40		

* Maximum load moments - Mp: Permissible moment in screw pitch direction; My: Permissible yaw moment; Mr: Permissible rolling moment

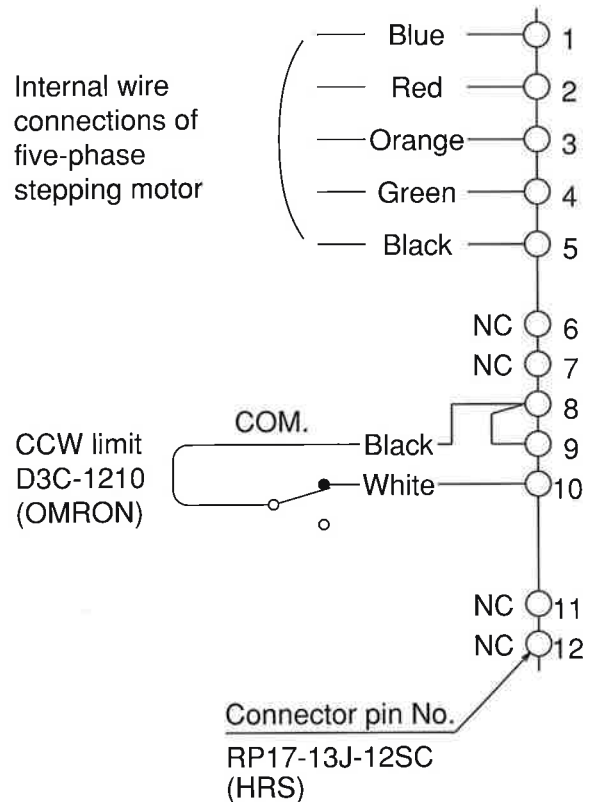
Specifications diagram



Applications

Ideal for applications demanding high speed and durability, such as high-speed small components conveyor installations, dose control, and desktop robots.

Wire connection diagram



★ Special custom orders and single-unit orders are welcome.