

KSS News-letter of Miniature Ball Screws & Actuators

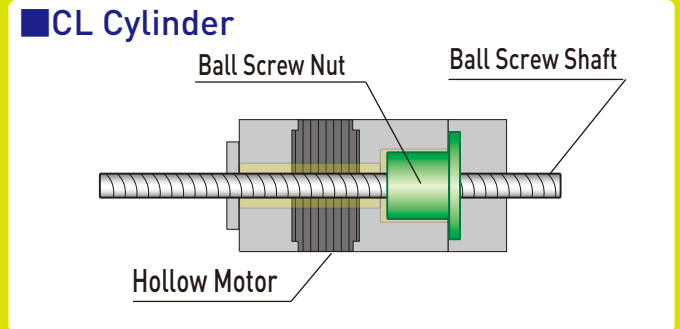
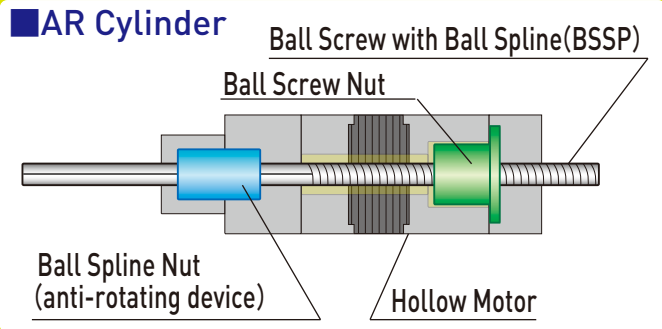
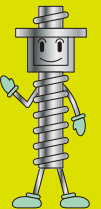
Topics

What is AR/CL Cylinder?

Compact electric Cylinder, integrated Ball Screw and 2-Phase Hollow Stepper Motor.



This product contains a Ball Screw and a slide guide device inside the cylinder (except CL Cylinder). It leads saving the number of parts and space. Driving the Hollow Motor to rotate the Ball Nut, then output Ball Screw shaft movement in and out, therefore quite compact linear structure can be built easily.



Ball Spline Nut plays a role of anti-rotating device. No need to attach such device by customer side. Compact and slim body design is possible.

Drive Screw shaft is inside the Hollow Motor, as simply designed. However, need to set anti-rotating device by user.

Unit:mm

	Drive Screw	Motor Size : □28		Motor size : □42	
		Lead	Travel	Lead	Travel
AR type	Precision Ball Screw	1,2	40	2,5	50
CL type	Precision Ball Screw	1,2	40,80	2,5	50,100
	Rolled Ball Screw	1,2	40,80	2,5	50,100
	Resin Lead Screw	2,6	40,80	2,5	50,100

We have 2 types of Motor, 42mm and 28mm squared, for both anti-rotating device integrated (AR Cylinder) or without anti-rotating device type (CL Cylinder).

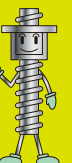
Also, accuracy and thrust force can be chosen by its selection among drive screw type.

For further information, please kindly visit KSS website or contact your KSS distributor!

AR/CL Cylinder Movie
Click here 

AR/CL Cylinder Catalogue
Click here 

Many choices of lead and travel combination can be possible by only Ball Screw Manufacturer!



With our history of more than 40 years of experience with specializing miniature sized Ball Screws, which is with its dia. 1.8mm-16mm. We are sure that we can provide the best support with our expert skills and know-how. We thank you for your consideration.